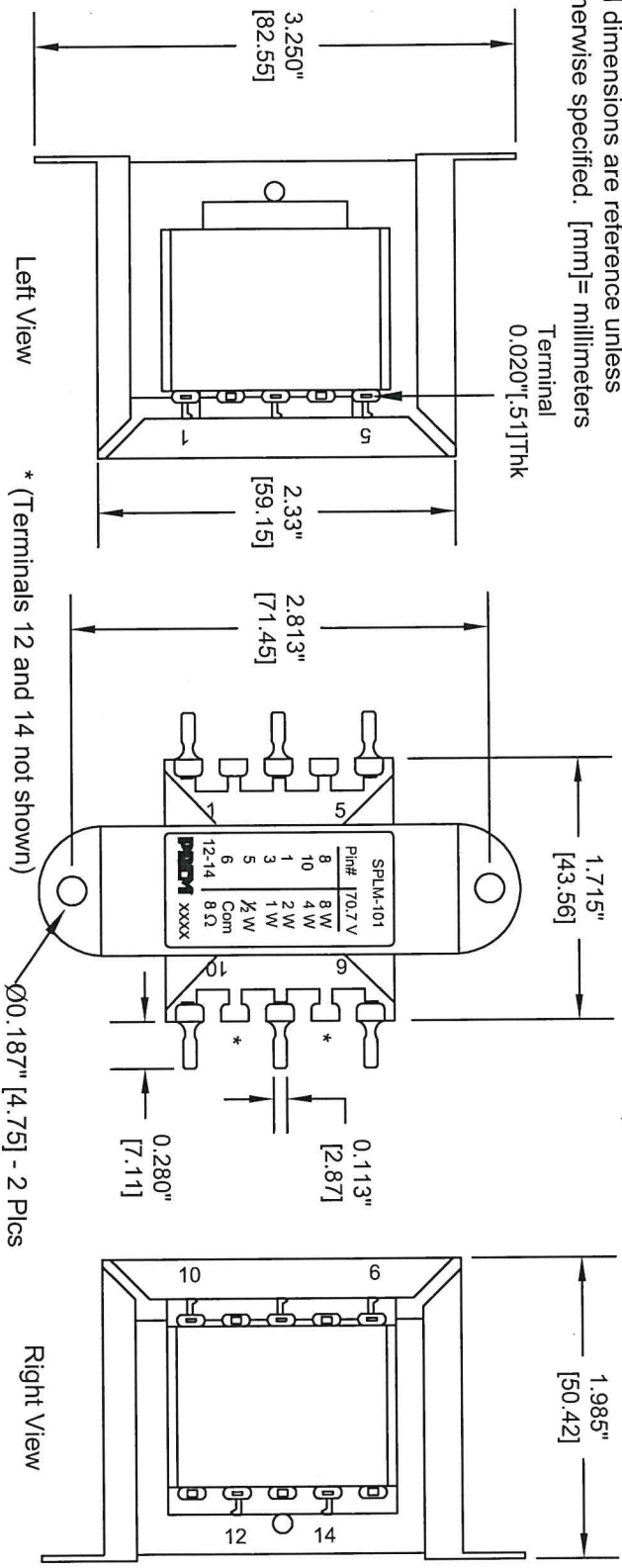


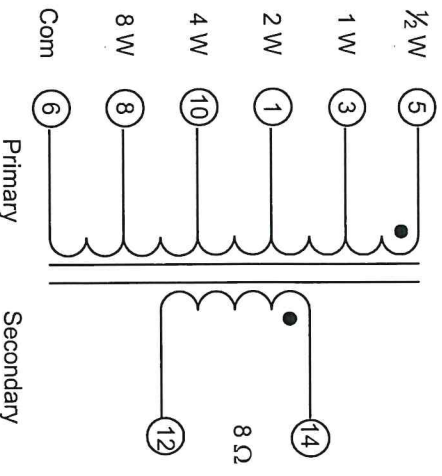
- CHASSIS MOUNT 70.7V LINE MATCHING AUDIO OUTPUT TRANSFORMER FOR COMMERCIAL DISTRIBUTED SOUND SYSTEMS.
- DEVELOPED FOR 70.7V LINE TO 8 OHM SPEAKER APPLICATIONS AT FIVE POWER LEVELS: 8, 4, 2, 1, 0.5 WATTS.

- FRAME BRACKET FOR EASE OF MOUNTING, (2) 0.187" DIA. HOLES, 0.113" SOLDER TABES FOR CONNECTING INPUTS AND OUTPUT.

All dimensions are reference unless otherwise specified. [mm]= millimeters



Connections are Identified by raised numbers on bobbin.



Electrical Parameters

Primary Taps : 70.7V @ 8W - 4W - 2W - 1W - ½ W
 Secondary Impedance: 8 Ohms
 Frequency Response: ± 3dB 50Hz - 15KHz (1KHz Ref.)
 Insertion Loss : 1.0dB @1KHz
 THD: 2.0% Typ. @ 100Hz., at Rated Pwr
 Dielectric Strength: 1500Vrms P-S-C
 Max Power : 8.0 Watts
 Weight: 14.8 oz. (420g)

● Dot indicates like polarity

-2	Removed references of "for school use"	6-20-22
-1	Add Dims. in [millimeters], Wght. in grams. Remove term to term, & add flange to flange Dim. Change term lngth Dim., Correct polarity of Terms 12 and 14. Add note * (Terminals 12 and 14 not shown) for Top View.	10-21-15
<p>CUSTOM ENGINEERING MAGNETIC COMPONENTS Johnsbury, Illinois 3521 N. Chapel Hill Rd. / McHenry, Illinois 60051</p>		
SCALE: None	APPROVED BY: Gary Garcia	DRAWN BY G.G.
DATE: 03-12-09		REVISED
Mechanical / Electrical Drawing for Part SPLM-101		
70.7V Line Matching Audio Output Transformer	DRAWING NUMBER A-SPLM-101	